



ALWAYS THE RIGHT TRANSFORMER

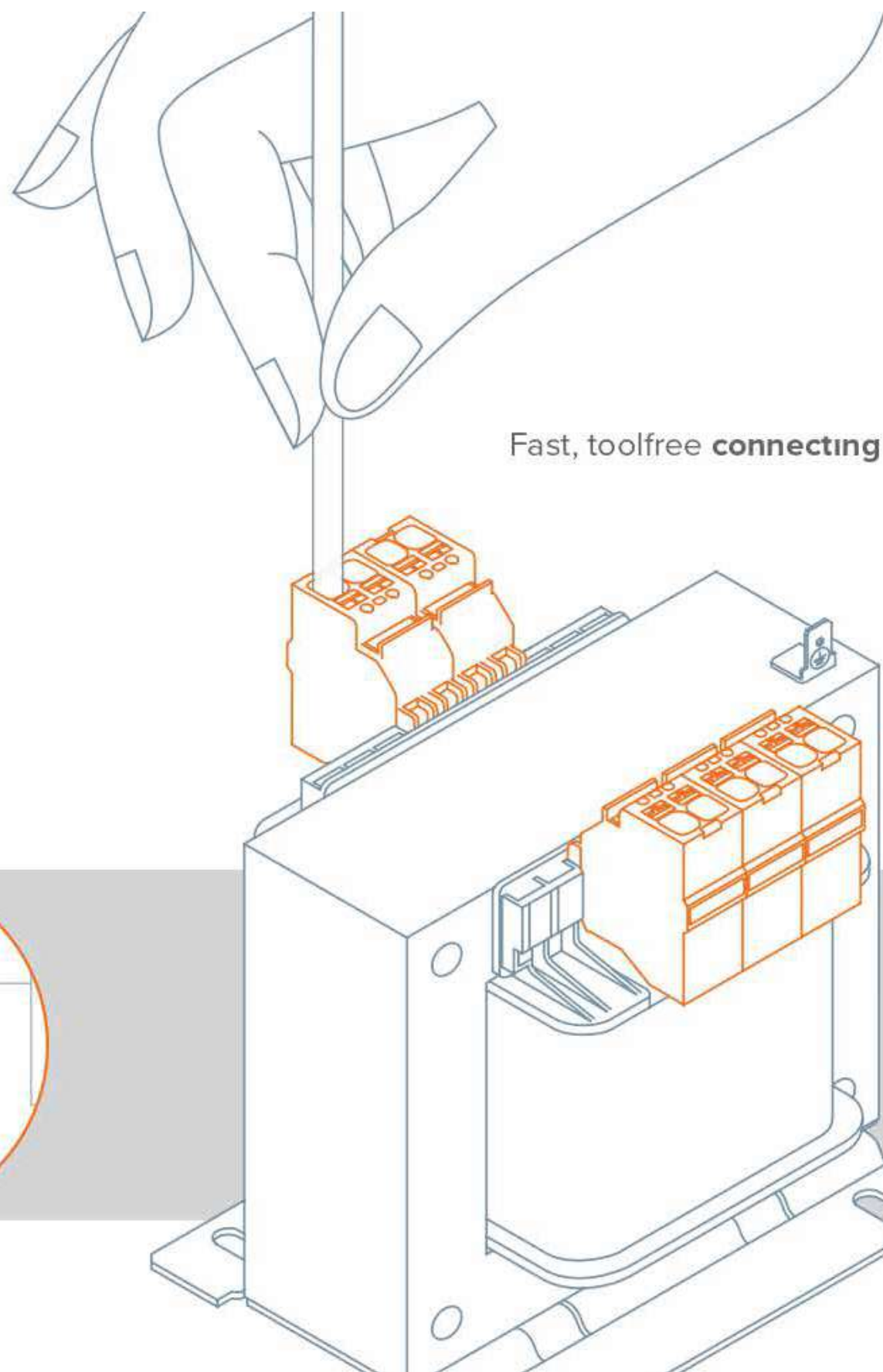
 www.projects.raahgroup.com

 Sales@raahgroup.com



THE WORLD'S FIRST FOR TRANSFORMERS: OUR PUSH-IN TERMINAL.

BLOCK introduces the first transformer terminal in push-in technology.
Wiring in the field of transformers has never been so easy.



- Double or reinforced isolation between primary and secondary sides
- Flexible configuration options for the secondary side network
- Power output ranges from 50 Vac to 1,000 Vac or 120 Vdc to 1,415 Vdc
- Power output up to 630,000 kVA, with higher ratings available upon request



Control- and Isolating Transformer

▶ USTE 100/2x115

Product	Control- and isolating transformer
Order number	USTE 100/2x115
Power	100 VA
Input	208 V / 230 V / 380 V / 400 V / 415 V / 440 V / 460 V / 480 V / 500 V / 525 V / 550 V / 575 V / 600 V
Output	2 x 115 V • 0.43 Aac
Frequency range	50 Hz to 60 Hz
Short-Circuit Losses	10.4 W
No-Load Losses	5.05 W
Short-Term Power / instantaneous output	310 VA
Short circuit voltage uk	9.00 %
EN insulation class	B (130°C)
UL Insulation class	class 130
Duty Cycle	100 %
Wire material	Copper
Efficiency	86.6 %



▶ USTE 100/2x12

Product	Control- and isolating transformer
Order number	USTE 100/2x12
Power	100 VA
Input	208 V / 230 V / 380 V / 400 V / 415 V / 440 V / 460 V / 480 V / 500 V / 525 V / 550 V / 575 V / 600 V
Output	2 x 12 V • 4.17 Aac
Frequency range	50 Hz to 60 Hz
Short-Circuit Losses	11.07 W
No-Load Losses	5.04 W
Short-Term Power / instantaneous output	310 VA
Short circuit voltage uk	9.50 %
EN insulation class	B (130°C)
UL Insulation class	class 130
Duty Cycle	100 %
Wire material	Copper
Efficiency	86.1 %



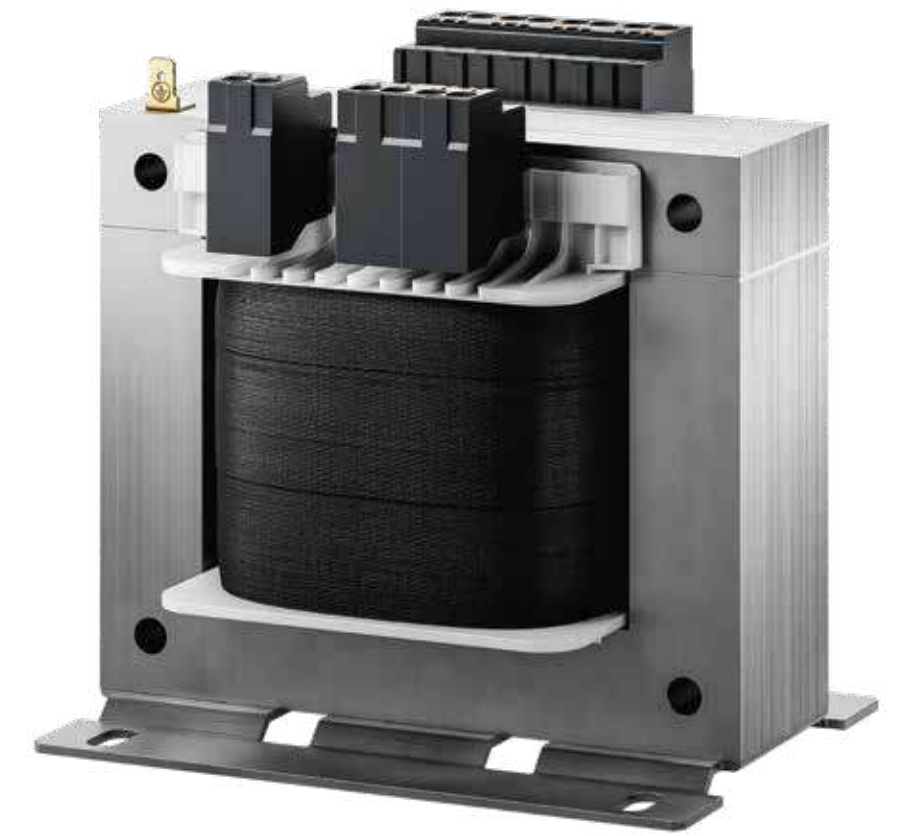
▶ USTE 1000/23-23

Product	Control- and isolating transformer
Order number	USTE 1000/23/23
Power	1,000 VA
UL Derating	800.00 VA
Input	219 V / 230 V / 241 V
Output	230 V • 4.35 Aac
Frequency range	50 Hz to 60 Hz
Short-Circuit Losses	32 W
No-Load Losses	30 W
Short-Term Power / instantaneous output	3,120 VA
Short circuit voltage uk	2.50 %
EN insulation class	B (130°C)
UL Insulation class	class 105
Duty Cycle	100 %
Wire material	Copper
Efficiency	94.2 %



▶ USTE 1000/2x115

Product	Control- and isolating transformer
Order number	USTE 1000/2x115
Power	1,000 VA
Input	208 V / 230 V / 380 V / 400 V / 415 V / 440 V / 460 V / 480 V / 500 V / 525 V / 550 V / 575 V / 600 V
Output	2 x 115 V • 4.35 Aac
Frequency range	50 Hz to 60 Hz
Short-Circuit Losses	45 W
No-Load Losses	26 W
Short-Term Power / instantaneous output	5,000 VA
Short circuit voltage uk	4.20 %
EN insulation class	B (130°C)
UL Insulation class	class 130
Duty Cycle	100 %
Wire material	Copper
Efficiency	93.4 %



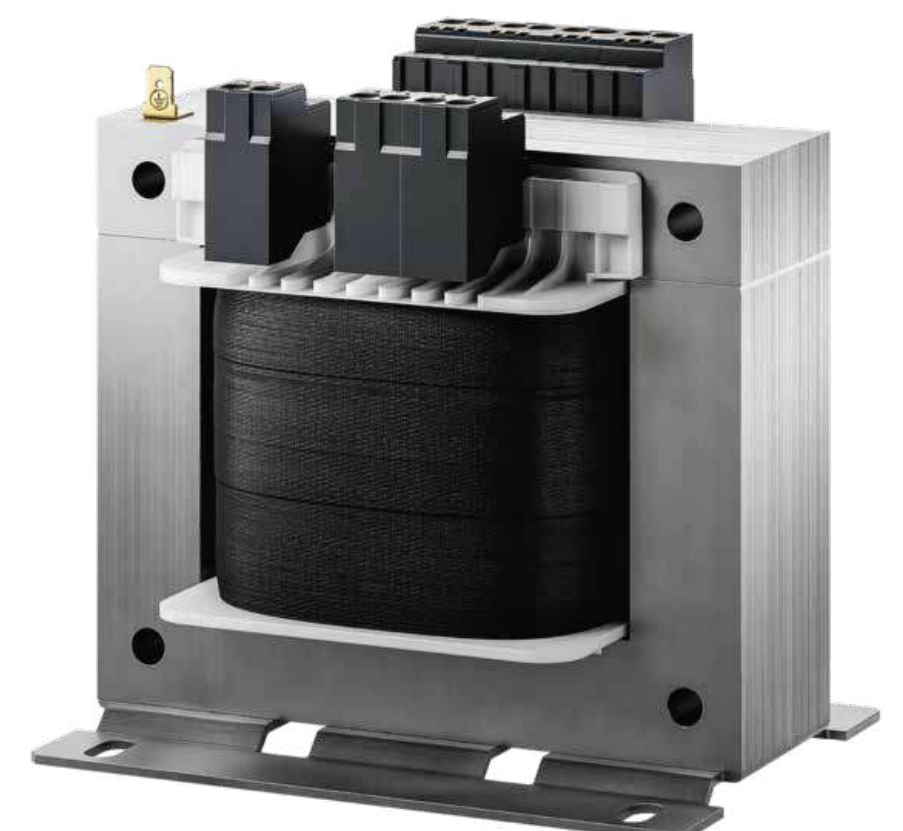
▶ USTE 1200/2x115

Product	Control- and isolating transformer
Order number	USTE 1200/2x115
Power	1,200 VA
Input	208 V / 230 V / 380 V / 400 V / 415 V / 440 V / 460 V / 480 V / 500 V / 525 V / 550 V / 575 V / 600 V
Output	2 x 115 V • 5.22 Aac
Frequency range	50 Hz to 60 Hz
Short-Circuit Losses	50 W
No-Load Losses	32 W
Short-Term Power / instantaneous output	5,700 VA
Short circuit voltage uk	3.80 %
EN insulation class	B (130°C)
UL Insulation class	class 130
Duty Cycle	100 %
Wire material	Copper
Efficiency	93.6 %



▶ USTE 1600/2x115

Product	Control- and isolating transformer
Order number	USTE 1600/2x115
Power	1,600 VA
Input	208 V / 230 V / 380 V / 400 V / 415 V / 440 V / 460 V / 480 V / 500 V / 525 V / 550 V / 575 V / 600 V
Output	2 x 115 V • 6.96 Aac
Frequency range	50 Hz to 60 Hz
Short-Circuit Losses	51 W
No-Load Losses	36 W
Short-Term Power / instantaneous output	7,800 VA
Short circuit voltage uk	3.30 %
EN insulation class	B (130°C)
UL Insulation class	class 130
Duty Cycle	100 %
Wire material	Copper
Efficiency	94.8 %



▶ USTE 250/2x115

Product	Control- and isolating transformer
Order number	USTE 250/2x115
Power	250 VA
Input	208 V / 230 V / 380 V / 400 V / 415 V / 440 V / 460 V / 480 V / 500 V / 525 V / 550 V / 575 V / 600 V
Output	2 x 115 V • 1.09 Aac
Frequency range	50 Hz to 60 Hz
Short-Circuit Losses	21.1 W
No-Load Losses	4.2 W
Short-Term Power / instantaneous output	850 VA
Short circuit voltage uk	7.70 %
EN insulation class	B (130°C)
UL Insulation class	class 130
Duty Cycle	100 %
Wire material	Copper
Efficiency	90.8 %



▶ USTE 250/2x12

Product	Control- and isolating transformer
Order number	USTE 250/2x12
Power	250 VA
Input	208 V / 230 V / 380 V / 400 V / 415 V / 440 V / 460 V / 480 V / 500 V / 525 V / 550 V / 575 V / 600 V
Output	2 x 12 V • 10.4 Aac
Frequency range	50 Hz to 60 Hz
Short-Circuit Losses	21.93 W
No-Load Losses	7 W
Short-Term Power / instantaneous output	850 VA
EN insulation class	B (130°C)
UL Insulation class	class 130
Duty Cycle	100 %
Wire material	Copper
Efficiency	89.6 %



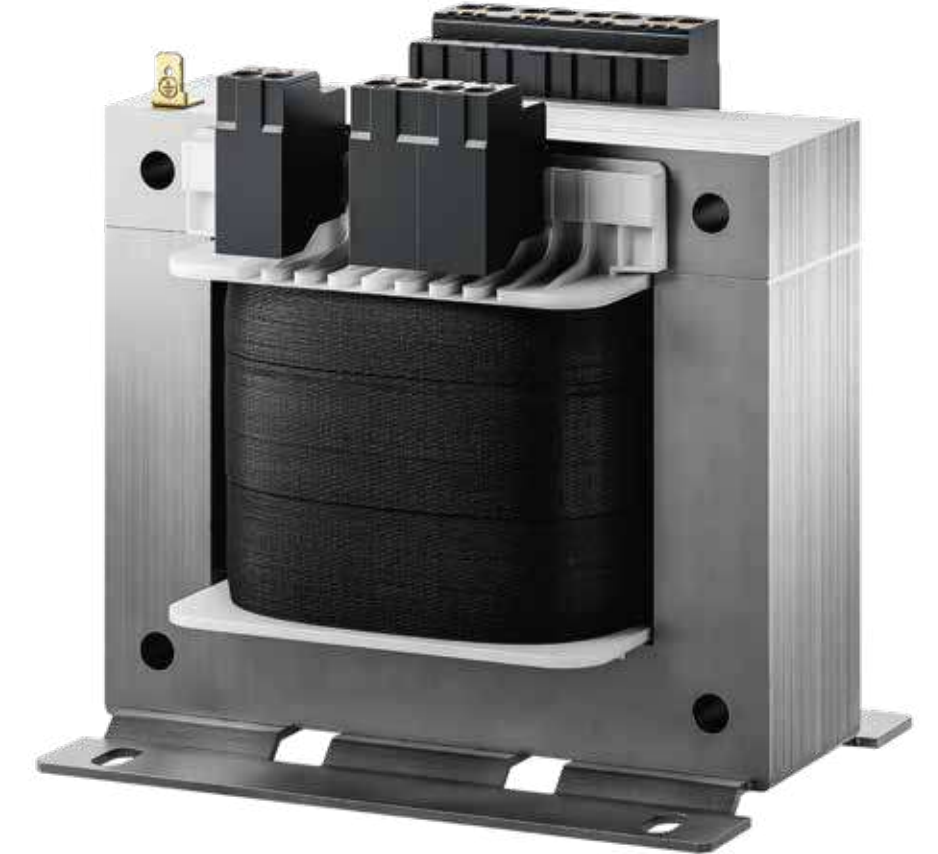
▶ USTE 2500/2x115

Product	Control- and isolating transformer
Order number	USTE 2500/2x115
Power	2,500 VA
Input	208 V / 230 V / 380 V / 400 V / 415 V / 440 V / 460 V / 480 V / 500 V / 525 V / 550 V / 575 V / 600 V
Output	2 x 115 V • 10.8 Aac
Frequency range	50 Hz to 60 Hz
Short-Circuit Losses	62 W
No-Load Losses	63 W
Short-Term Power / instantaneous output	12,500 VA
Short circuit voltage uk	2.70 %
EN insulation class	B (130°C)
UL Insulation class	class 130
Duty Cycle	100 %
Wire material	Copper
Efficiency	95.2 %



▶ USTE 3200/2x115

Product	Control- and isolating transformer
Order number	USTE 3200/2x115
Power	3,200 VA
Input	208 V / 230 V / 380 V / 400 V / 415 V / 440 V / 460 V / 480 V / 500 V / 525 V / 550 V / 575 V / 600 V
Output	2 x 115 V • 13.91 Aac
Frequency range	50 Hz to 60 Hz
Short-Circuit Losses	72 W
No-Load Losses	59 W
Short-Term Power / instantaneous output	14,400 VA
Short circuit voltage uk	2.90 %
EN insulation class	B (130°C)
UL Insulation class	class 130
Duty Cycle	100 %
Wire material	Copper
Efficiency	96.1 %



▶ USTE 40/2x12

Product	Control- and isolating transformer
Order number	USTE 40/2x12
Power	40 VA
Input	208 V / 230 V / 380 V / 400 V / 415 V / 440 V / 460 V / 480 V / 500 V / 525 V / 550 V / 575 V / 600 V
Output	2 x 12 V • 1.67 Aac
Frequency range	50 Hz to 60 Hz
Short-Circuit Losses	3.44 W
No-Load Losses	3.06 W
Short-Term Power / instantaneous output	100 VA
EN insulation class	B (130°C)
UL Insulation class	class 130
Duty Cycle	100 %
Wire material	Copper
Efficiency	86 %



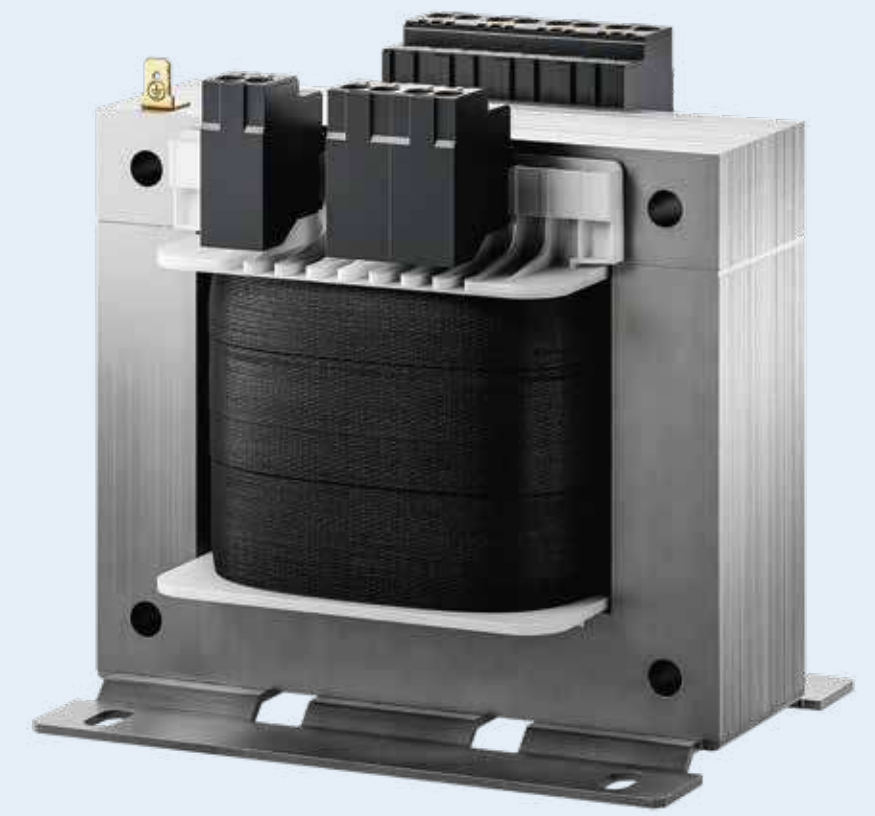
▶ USTE 400/2x115

Product	Control- and isolating transformer
Order number	USTE 400/2x115
Power	400 VA
Input	208 V / 230 V / 380 V / 400 V / 415 V / 440 V / 460 V / 480 V / 500 V / 525 V / 550 V / 575 V / 600 V
Output	2 x 115 V • 1.74 Aac
Frequency range	50 Hz to 60 Hz
Short-Circuit Losses	27.8 W
No-Load Losses	8.6 W
Short-Term Power / instantaneous output	1,440 VA
Short circuit voltage uk	6.50 %
EN insulation class	B (130°C)
UL Insulation class	class 130
Duty Cycle	100 %
Wire material	Copper
Efficiency	91.7 %



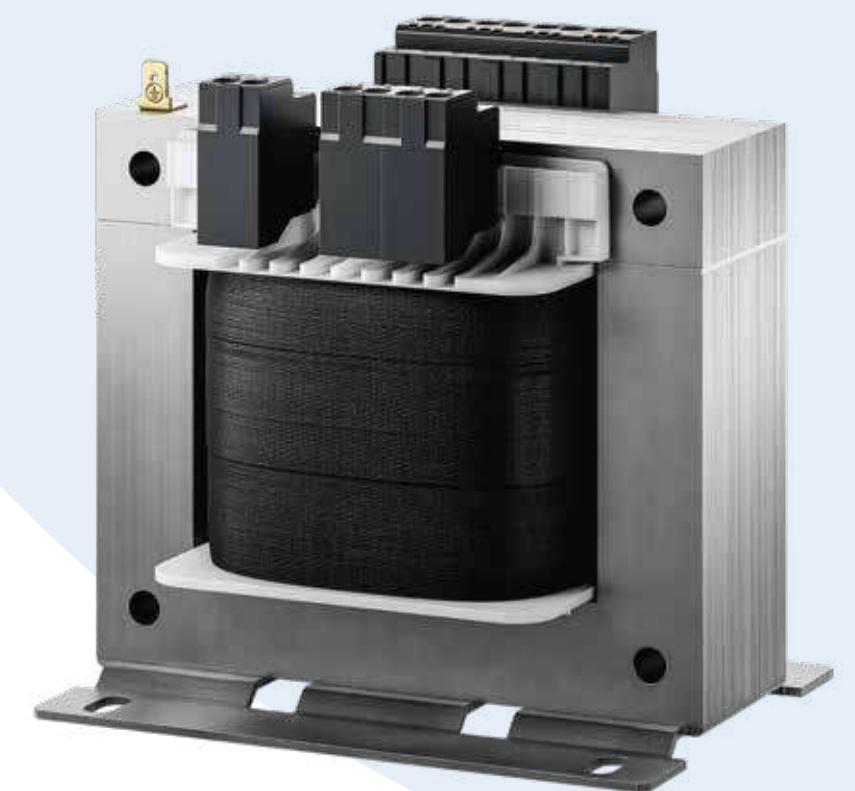
▶ USTE 400/2x12

Product	Control- and isolating transformer
Order number	USTE 400/2x12
Power	400 VA
Input	208 V / 230 V / 380 V / 400 V / 415 V / 440 V / 460 V / 480 V / 500 V / 525 V / 550 V / 575 V / 600 V
Output	2 x 115 V • 1.74 Aac
Frequency range	50 Hz to 60 Hz
Short-Circuit Losses	27.8 W
No-Load Losses	8.6 W
Short-Term Power / instantaneous output	1,440 VA
Short circuit voltage uk	6.50 %
EN insulation class	B (130°C)
UL Insulation class	class 130
Duty Cycle	100 %
Wire material	Copper
Efficiency	91.7 %



▶ USTE 500/2x115

Product	Control- and isolating transformer
Order number	USTE 500/2x115
Power	500 VA
Input	208 V / 230 V / 380 V / 400 V / 415 V / 440 V / 460 V / 480 V / 500 V / 525 V / 550 V / 575 V / 600 V
Output	2 x 115 V • 2.17 Aac
Frequency range	50 Hz to 60 Hz
Short-Circuit Losses	19.23 W
No-Load Losses	18.54 W
Short-Term Power / instantaneous output	2,000 VA
Short circuit voltage uk	3.80 %
EN insulation class	B (130°C)
UL Insulation class	class 130
Duty Cycle	100 %
Wire material	Copper
Efficiency	93 %



▶ USTE 630/2x115

Product	Control- and isolating transformer
Order number	USTE 630/2x115
Power	400 VA
Input	208 V / 230 V / 380 V / 400 V / 415 V / 440 V / 460 V / 480 V / 500 V / 525 V / 550 V / 575 V / 600 V
Output	2 x 115 V • 2.74 Aac
Frequency range	50 Hz to 60 Hz
Short-Circuit Losses	29 W
No-Load Losses	19.7 W
Short-Term Power / instantaneous output	2,350 VA
Short circuit voltage uk	4.30 %
EN insulation class	B (130°C)
UL Insulation class	class 130
Duty Cycle	100 %
Wire material	Copper
Efficiency	92.8 %



▶ USTE 630/2x12

Product	Control- and isolating transformer
Order number	USTE 630/2x12
Power	630 VA
Input	208 V / 230 V / 380 V / 400 V / 415 V / 440 V / 460 V / 480 V / 500 V / 525 V / 550 V / 575 V / 600 V
Output	2 x 12 V • 26.3 Aac
Frequency range	50 Hz to 60 Hz
Short-Circuit Losses	26.45 W
No-Load Losses	24.56 W
Short-Term Power / instantaneous output	2,350 VA
Short circuit voltage uk	3.00 %
EN insulation class	B (130°C)
UL Insulation class	class 130
Duty Cycle	100 %
Wire material	Copper
Efficiency	92.5 %



▶ USTE 800/2x115

Product	Control- and isolating transformer
Order number	USTE 800/2x115
Power	800 VA
Input	208 V / 230 V / 380 V / 400 V / 415 V / 440 V / 460 V / 480 V / 500 V / 525 V / 550 V / 575 V / 600 V
Output	2 x 115 V • 3.48 Aac
Frequency range	50 Hz to 60 Hz
Short-Circuit Losses	34 W
No-Load Losses	24.5 W
Short-Term Power / instantaneous output	3,400 VA
Short circuit voltage uk	4.00 %
EN insulation class	B (130°C)
UL Insulation class	class 130
Duty Cycle	100 %
Wire material	Copper
Efficiency	93.2 %

